

## Sink Skin Double Gun Metal



Kitchen Sinks

Code: 4455 046



### DETAILS

Coloring Gun Metal

---

Edge/Installation Type Flush-mount | Top-mount

---

Finish PVD

---

Material AISI 304 stainless steel

---

Texture Foster brushed

---

Base 80 cm

---

Dimensions 750 x 440 mm

---

Standard fittings Fixing hooks, gasket, drain, overflow and siphon, boxed packing

---

Mixer holes No standard holes

---

Built-in hole

[View technical data sheet](#)

Drainer

No

Width

75 cm

Bowl dimension

340x400mm

Number of bowls

2 bowls

Waste fitting

Drain SPACE 3,5"

Notes:

As the product consists of a single seamless steel surface with no gaps or interstices, the use of garbage disposal and waste fitting with automatic control is not permitted.

## FEATURES

Gun Metal

The Gun Metal finish is obtained by treating steel with a physical process called PVD (Physical Vacuum Deposition) which deposits particles of noble metals on the surface. The result is a unique and refined aesthetic effect, and an improvement of the mechanical properties of the steel which is more resistant to impact and scratches.

ONE SEAMLESS STEEL SURFACE

The waste-fitting and overflow are moulded on the sink. The product is therefore made out of one seamless steel surface, without gaps or interstices. A great plus in terms of hygiene.

Deep bowls

This bowls reach an important depth, over 20 cm, thanks to the advanced production technology, that can be offer great capieny and practicity in all the washing operations.

High thickness

1mm thick steel. A significant thickness, which guarantees the maximum sturdiness and durability.

Perimetral overflow

The overflow is always a security on the Foster sinks that prevents the overflow of water in case of oversights. The perimeter drain solution improves aesthetics thanks to its square and essential shape.

## Save space system

Drain and siphon are designed to leave as much space as possible in the under-sink area, more and more useful today for theseparate waste collection systems.

---

## Small radius

Bowls with squared shapes with a modern design and an increased capacity, for a minimal aesthetics connected with an extreme praticity.

---

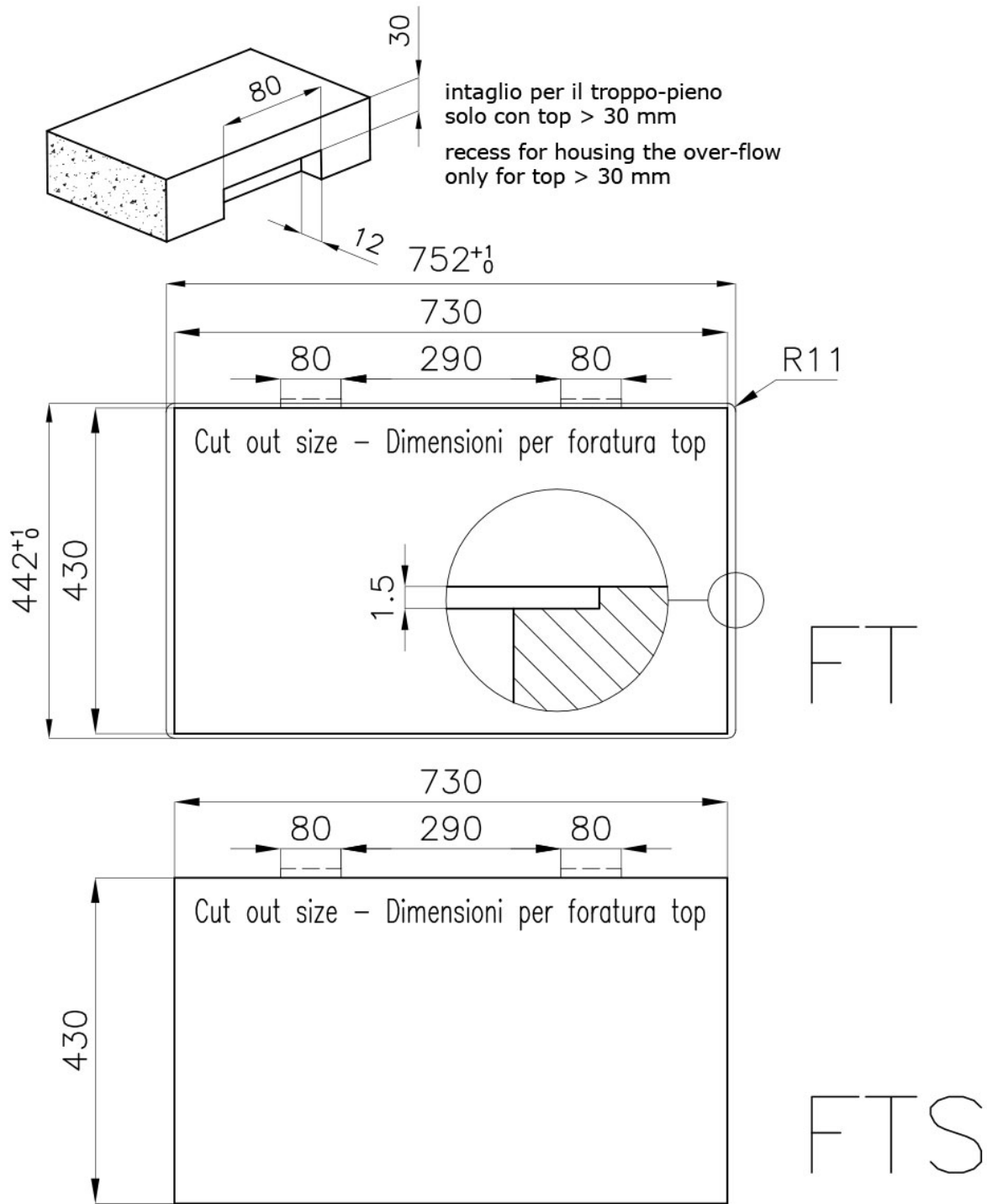
## Space waste fitting

The elegant SPACE steel cap closes the drain and leaves no visible residues collected in the basket below. Space also has a small footprint and allows the optimal use of the under-sink compartment.

---

## TECHNICAL DATA





## GALLERY



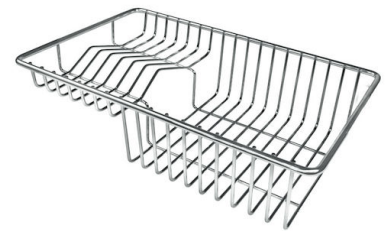
## OPTIONAL ACCESSORIES



**Glass chopping board**  
8631 300



**HPDE Twin chopping board**  
8644 101



**Stainless steel plate rack**  
8100 303  
\* only in combination with the accessory  
8644 101



**Stainless steel plate rack**  
8100 201



**Stainless steel plate rack only  
usable in combination with the  
accessories 8644 003**  
8100 154



**White bowl**  
8153 100



**Graters kit with ring-holder and food collection tray**

8159 101

\* only in combination with the accessory  
8644 101



**Iroko-wood sliding chopping board with stainless steel colander**

8644 044



**Stainless steel basket**

8611 000



**Stainless steel perforated tray**

8151 000

\* only in combination with the accessory  
8644 101

## RECOMMENDED PAIRINGS



**Mixer Tap Skin Gun Metal**

8424 856



**VOLTA GUN METAL**

8491 106